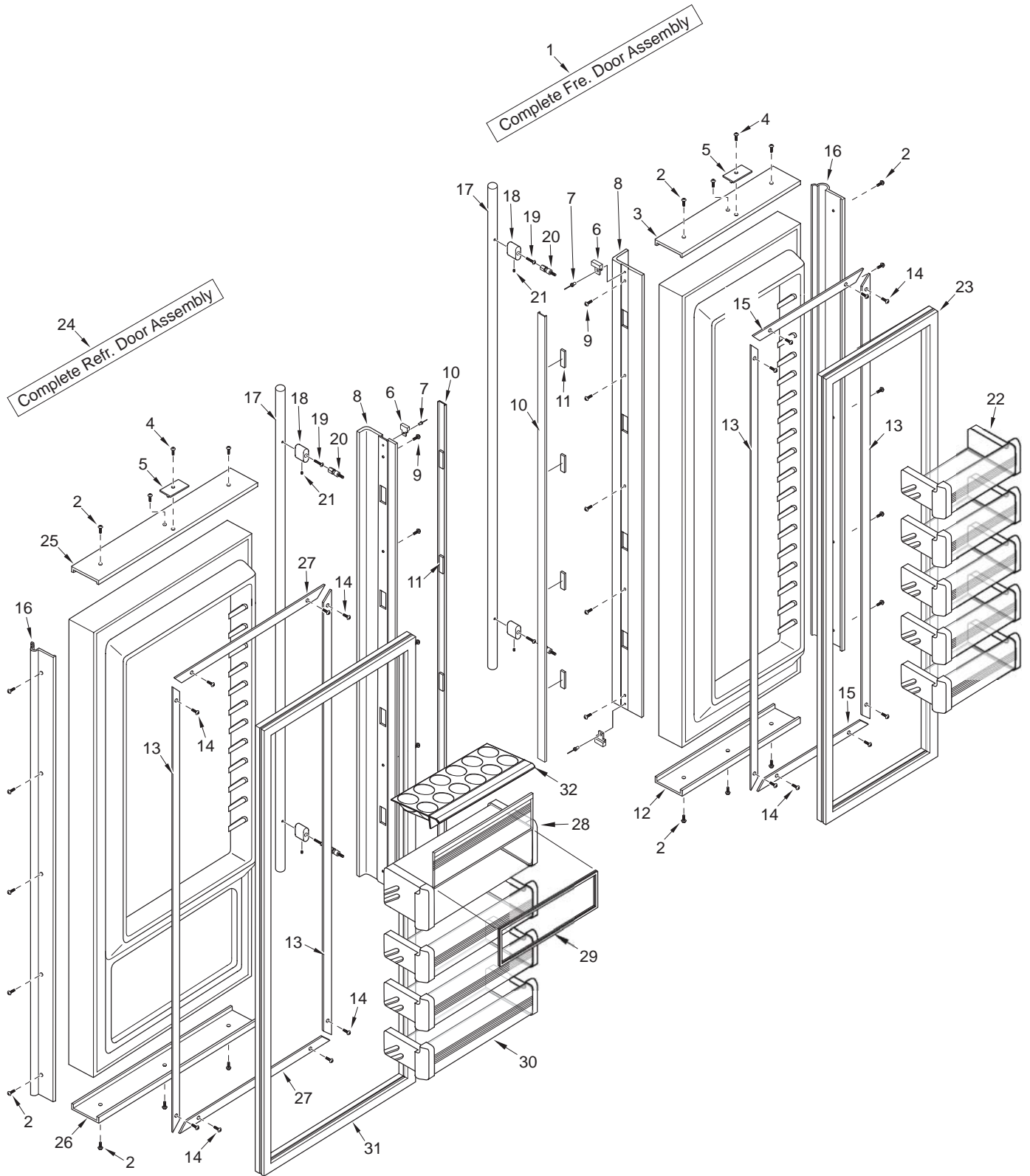


## 661-2 DOOR PARTS LIST

Ref #	Part #	Description	Ref #	Part #	Description
1	4132855	Door Assy, Fre SRVC-Framed/Overlay	17	4133730	Handle Assy, SS OBR Standoffs (Incl. Stand-offs)
	4132715	Door Assy, Freezer SRVC SS		4133731	Handle Assy, OBR Standoff, B (Incl. Stand-offs)
	4135751	Door Assy, SRVC, Fre, B		4133732	Handle Assy, OBR Standoff, P (Incl. Stand-offs)
	4135951	Door Assy, SRVC, Fre, P			
<b>NOTE: Door Assy's do NOT incl. hinges or handles.</b>					
2	6200720	Screw, #8-18 x 1/2 PH Truss HD	18	3512150	Standoff, SS Oval
	6200721	Screw, #8-18X1/2 Ph Low Prfl, B		3512151	Standoff, Oval, B
3	2230625	Door Trim, Top; Freezer		3512152	Standoff, Oval, P
4	6200720	Screw, #8-18 x 1/2 PH Truss HD	19	6110540	Bolt, #10-24 x 1/2 Flat Socket HD
	6200721	Screw, #8-18X1/2 Ph Low Prfl, B	20	3511520	Handle Mounting Stud
5	4200940	Switch Depressor (Includes Screw)	21	6110730	Set Screw #10-32 X 1/4 SS Cone
	3421381	Depressor, Switch, B (Screw not Incl.)	22	4330290	Fre Door Shelf Assy
6	3413340	Handle/Trim End Cap	23	3212150	Door Gasket, Fre
7	6180160	Rivet, Open End Blind, 1/8 x 3/16	24	4132845	Door Assy, Ref. SRVC-Framed/Overlay
8	4132220	Door Handle Assembly (Framed)		4132705	Door Assy, Refrigerator SRVC SS
	4132320	Handle-Side Door Trim (Overlay)		4135741	Door Assy, SRVC, Ref, B
9	6201300	Tapping Screw, #8 x 1/2		4135941	Door Assy, SRVC, Ref, P
10	4131860	Handle/Trim Molding Assy	<b>NOTE: Door Assy's do NOT incl. hinges or handles.</b>		
11	3451140	Magnet, Trim Strip - 3"	25	2230623	Door Trim, Top; Refrigerator
12	2230626	Door Trim, Bottom; Freezer	26	2230624	Door Trim, Bottom; Refrigerator
13	3420260	Gasket Retainer, 66.875"	27	3420160	Gasket Retainer, 18.25"
14	6200410	Screw, #8 x 1/2 Slot Head Hex	28	4330320	Dairy Compartment Assy
15	3420130	Gasket Retainer, 13.812"	29	3210720	Dairy Door Seal
16	3511130	Door Trim, Hinge Side - (SS Model)	30	4330270	Refrig. Door Shelf Assy
	3511131	Door Trim, Hinge Side - Mitered Corner	31	3212140	Door Gasket, Refrigerator
	3512241	Trim, Door Hinge Side - Carbon	32	3410990	Egg Tray
	3512242	Trim, Door Hinge Side - Platinum			



**661-2 DOOR VIEW**

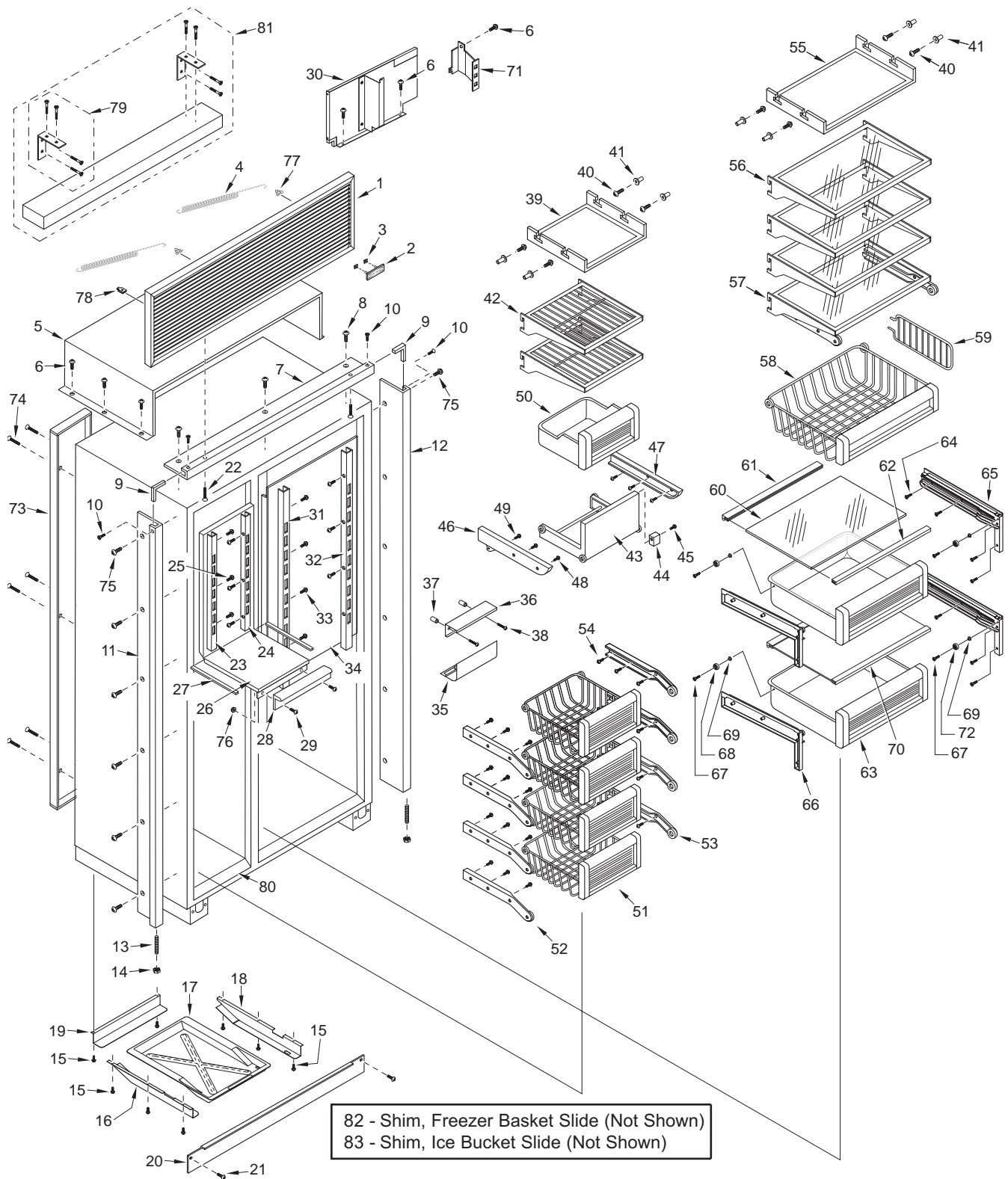


## 661-2 COSMETIC PARTS LIST

Ref #	Part #	Description	Ref #	Part #	Description
1	6LG3611	Louvered Grille Assy, 36" x 11"	35	3500320	Fre Lwr Light Diffuse
	6PG3611	Panel Grille Assy, 36" x 11"	36	0235260	Bracket, L lower light
	6SG3611/S	SS Grille, 36X11-CLSC	37	6220340	Screw Grommet / Stand-off
	6SG3611/B	SS Grille 36X11-CarBon	38	6201010	Screw, #8-15 x 2" Pan Head
	6SG3611/P	SS Grille 36X11-Platinum	39	4161380	Diffuser Assy, Fre Light
2	3580270	Logo, Stainless 3 1/2" (Stick-on)	40	6201330	Screw, #8-18 x 5/8" PH PN SS-Gnd
	3580280	Logo, Framed 3 1/2" (w/ Pegs)	41	3520420	Insert / Diffuser Stand-off
	3580290	Logo, Carbon 3 1/2", (Stick-on)	42	3600840	Freezer Wire Shelf
3	6150140	Spring Grip Nut, 1/8"	43	4180840	Carrier Assy, Ice Bucket
4	3450900	Grille Spring	44	3421090	IM Carriage Guide
5	4281000	Unit Shroud Assy	45	6200340	Screw, #6-20 x 1/2" Pan Head
6	6201270	Screw, #8-18 x 5/8" PH PN SS-Gnd	46	3410932	Ice Bucket Slide, Left
7	2234019	Frame, Main Top 36	47	3410931	Ice Bucket Slide, Right
	3517053	Frame, Main Top 36, B	48	6200450	Screw, #8 x 1" Type AR Flat
	3517056	Frame, Main Top 36, P	49	6200710	Screw, #8-18 x 3/8" Fillister HD
8	6200010	Screw, #10-12 x 3/4 Pan HD	50	4181000	Ice Bucket Assy
9	2210701	Main Frame Angle	51	4180890	Basket Assy, Fre
10	6200070	Screw, #4-24 x 3/8 Flat HD	52	4180972	Slide Assy, LH Fre Basket
11	4120870	Frame Assy, Main Left-LH	53	4180971	Slide Assy, RH Fre Basket
	4120871	Frame Assy, Main Left Side - LH, B	54	6200450	Screw, #8 x 1" Type AR Flat
	4120872	Frame Assy, Main Left Side - LH, P	55	4161370	Diffuser Assy, Refrig. Light
12	4120860	Frame Assy, Main Rt-RH	56	4180780	Shelf Assy, Glass
	4120861	Frame Assy, Main Right Side - RH, B	57	4180810	Shelf Assy, Ref Roll-out Basket
	4120862	Frame Assy, Main Right Side - RH, P	58	4180870	Basket Assy, Ref Roll-out
13	3550190	Bottom Hinge Stud	59	3411160	Ref Roll-Out Bskt Divider
14	6150200	Nut, 1/4-20 Hex	60	4151080	Crisper Glass Assembly (Incl Seals)
	6150201	Nut, 1/4-20 Hex, B	61	1302100	Seal, Rear Crisper
15	6200010	Screw, #10-12 x 3/4" Pan HD	62	2301801	Seal, Upper Front Crisper
16	0262010	Support, Drain Pan, LH	63	4180920	Drawer Assy, Crisper
17	2120121	Pan, Drain Vac Form	64	6200450	Screw, #8 x 1" Type AR Flat
18	0262000	Support, Drain Pan, RH	65	4180931	Slide Assy, RH Crisper
19	0262020	Support, Drain Pan, Rear	66	4180950	Slide Assy, LH Crisper
20	0169520	Kickplate, Solid	67	6200730	Screw, #10-16 x 3/4" PH Flat HD UC
	0167820	Kickplate, Stainless Steel	68	3421100	Roller, Crisper Flat Narrow (LT Side)
	0167821	Kickplate, Solid 36", B		3421110	Roller, Crisper (RT Side)
	0167822	Kickplate, Solid 36", P	69	3430080	Roller Bushing
21	6200050	Screw, #10-12 Pan Hd	70	4151110	Crisper Tray Assembly
	6200720	Screw, #8-18x1/2 Ph Tr Hd (SS Model)	71	0262080	Bracket, Cond Shroud
22	6201310	Screw, #8 x 1-3/4" Flat PH HD	72	3421100	Roller, Crisper Flat Narrow (4180950)
23	3602192	Fre Shelf Ladder, Lft		3421110	Roller, Crisper (4180931)
24	3602191	Fre Shelf Ladder, Right	73	0261640	Duct, Back
25	6200710	Screw, #8-18 x 3/8 Fillister HD	74	6201060	Screw, #8x1-1/4" Ph Flat Tap
26	0234350	Freezer Duct/Shelf	75	6201550	Screw, #8-18 Lw Prfl
27	3210830	Evaporator Shelf Seal	76	6150820	Palnut, .25
28	4162810	Front Assy, Fre Front	77	3450520	Grille Hook
29	6201290	Screw, #8-15 PH PN HD SS	78	6150140	Spring Grip Nut, 1/8"
30	4281660	Shroud Assy, Comp	79	4201340	Blocking Hardware Package
31	3601082	Refrig. Shelf Ladder, Left	80	4203930	Patch, Fre Face Frm Sill
32	3601081	Refrig. Shelf Ladder, Right	81	4201320	Blocking Components; 42"
33	6200710	Screw, #8-18 x 3/8" Fillister HD	82	2121120	Shim, Fre. Basket Slide
34	0201340	Cold Plate, Refrigerator	83	3411970	Shim, Ice Bucket Slide



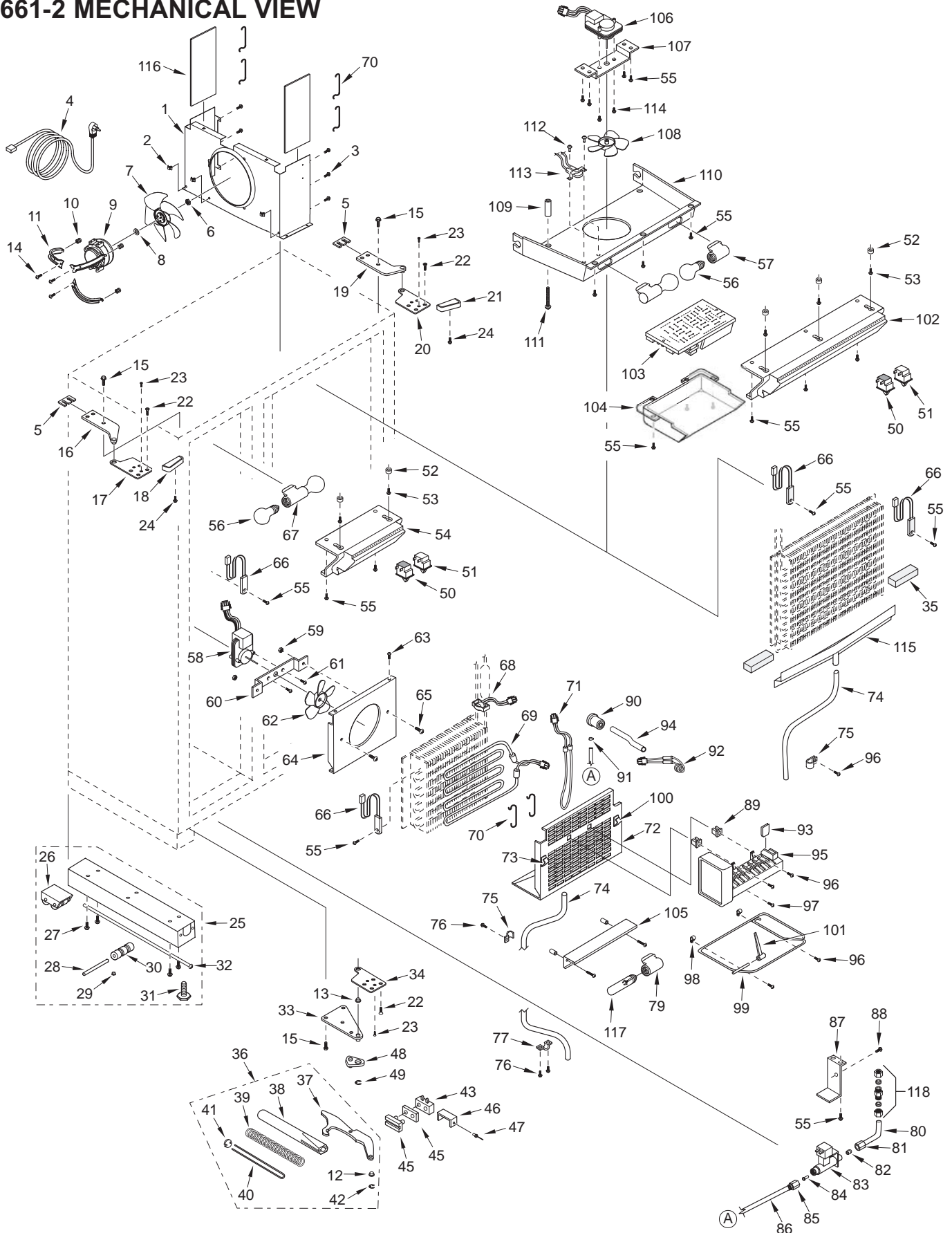
## 661-2 COSMETIC VIEW



## 661-2 MECHANICAL PARTS LIST

Ref #	Part #	Description	Ref #	Part #	Description
1	0262060	Shroud, Cond Fan	51	3060140	SPST Light Switch (White)
2	6120460	Push-in Wire Tie PWMS-H25-M		3060141	Switch, Rocker N.C. Black
3	6201420	Screw	52	6160240	Nylon Spacer
4	3025560	Cord Assy, Power Supply	53	6200720	Screw, #8-18 x 1/2 PH Truss HD
5	0168680	Shim - Hinge	54	4162791	Ctrl Assy, Fre Front
6	6150410	Nut, 1/4-20	55	6201270	Screw, #8-18 x 5/8" PH PN SS-Gnd
7	3150800	Blade, Condenser Forward-SW	56	3030030	Light Bulb, 40 Watt
8	3210340	Neoprene Silencer, 7/8"	57	3050230	Sckt, Light Md Base Single
9	4200740	Motor Pkg, Cond Fan (blade not incl.)	58	4200160	Freezer Fan Motor (Blade not Incl.)
10	3220360	Grommet, Mtg Brkt	59	6150030	Nut, #10-24 Hex SS
11	0261150	Brkt, Cond Mounting (3)	60	0234360	Fan Support
12	3450550	E-Ring / Klipring, 5/16"	61	6201440	Screw, #8-32 X 1 3/4 FILHD
13	3421270	Hinge Bearing, 3/8" x 5/8"	62	3150990	Blade, Fre 130mm 4 Pedal
	3421271	Bearing, Door, B	63	6201270	Screw, #8-18 x 5/8" PH PN SS-Gnd
14	6201580	Screw, #8-36 X 1/2 Nylon Patch	64	0235740	Shroud, Fan
15	6110070	Bolt, 1/4-20x3/4 Spinlock Zinc	65	6110020	Bolt, #10-24 x 3/8" Truss HD
16	4151272	Cabinet Hinge Assy, Upper LH	66	4204150	Thermistor, ASM Srvc Pkg
	4151274	Hinge Assy, Upr Cab-LH, B	67	4161610	Light Assy, Upper Freezer (Incl. Socket)
17	4151472	Door Hinge Assy, Top LH	68	3025710	W/H, Heaters & Terminator
	4151474	Hinge Assy, Top Door-LH, B	69	3025710	W/H, Heaters & Terminator
18	3541018	Top Cabinet Hinge Cover, LH	70	1801100	Heater Clip
	3541212	Cover, Top Cabinet Hinge-LH, B	71	3025710	W/H, Heaters & Terminator
	3541214	Cover, Top Cabinet Hinge-LH, P	72	4152040	Fre Evap Cover Assy.
19	4151271	Cabinet Hinge Assy, Upper RH	73	6120160	Cord Clip, Plastic, 5/16 x 1/2"
	4151273	Hinge Assy, Upr Cab-RH, B	74	1601400	Drain Tube, Wire - 1/2" x 72"
20	4151471	Door Hinge Assy, Top RH	75	6120050	Tube Clamp, Plastic, 5/8"
	4151473	Hinge Assy, Top Door-RH, B	76	6200010	Screw, #10-12 x 3/4" Pan HD
21	3541017	Top Cabinet Hinge Cover, RH	77	6120210	U-Clamp, 5/8"
	3541211	Cover, Top Cabinet Hinge-RH, B	78	3082140	Light Terminator
	3541213	Cover, Top Cabinet Hinge-RH, P	79	3050220	Socket, Light Int Base Sngl
22	6110540	Bolt, #10-24 x 1/2" Flat Socket HD	80	2600297	Tube, Copper L-Shaped
23	6200390	Screw, #6 x 3/8" T25 Flat Head PH	81	3520380	Compression Nut
24	6200140	Screw, #8-15 x 3/8" Truss HD	82	3520370	Compression Sleeve
25	4110353	Base Assy (w/rollers)	83	4202790	Water Valve
26	4110331	Base Rear Roller Assy	84	3520050	Brass Insert, Solenoid
27	6200010	Screw, #10-12 x 3/4" Pan HD	85	3520030	Icemaker Nylon Nut, 1/4"
28	3550560	Straight Pin, Base Assy, .312" x 2.88"	86	2600617	Plastic Water Line
29	3450620	Canoe Clip	87	0168160	Solenoid Water Valve Bracket
30	3421240	Cabinet Roller (Single)	88	6200780	Screw, #10-24 x 1/2" PH Hex Washer
31	3570050	Leveling Leg, #18-3/8 x 1"	89	6220220	Screw Grommet, 1/32" X 3/8" SQ.
32	6110580	Adjusting Screw	90	1607700	Water Inlet Tube
33	4151281	Cabinet Hinge Assy, Lower RH	91	6220470	Fill Tube Clamp
	4151283	Hinge Assy, Lwr Cab-RH, B	92	3025710	W/H, Heaters & Terminator
	4151282	Cabinet Hinge Assy, Lower LH	93	3140360	Fill Cup Plug
	4151284	Hinge Assy, Lwr Cab-LH, B	94	3024110	Fill Tube Extension
34	4151241	Door Hinge, Bottom RH	95	4290450	Icemaker Assembly
	4151242	Door Hinge, Bottom LH	96	6200120	Screw, #10-12 x 1/2" Truss HD
35	6231490	Tape, Foam XLPE	97	6200060	Screw, #8-32 x 1/2" Pan HD
36	4201111	Door Closer Assy, RH	98	6120280	Tube Clamp, Nylon, 3/16"
	4201150	Door Closer Assy, SBS-RH, B	99	3140300	Arm, Icemaker Cntrl
	4201112	Door Closer Assy, LH	100	6120330	Wire Clip
	4201160	Door Closer Assy, SBS-LH, B	101	3421070	Connecting Rod
37	NA	See 4201111, 1112, 1115 or 1116	102	4162783	Front Assy, Control Panel 661
38	NA	See 4201111, 1112, 1115 or 1116	103	4204370	Board, Control SRVC 661
39	3450530	Door Closer Spring	104	4152050	Cover Assy, Control
	3450710	Low Pull Door Closer Spring	105	0235260	Bracket, Lower light
40	3421290	Door Closer Linkage	106	4200170	Refrig. Fan Mtr Cmpnts (Blade not Incl.)
41	0165980	Door Closer Spring Retainer	107	0212520	Bracket, Fan (Production)
42	3421260	Door Closer Bearing		0212540	Bracket, Fan (In Srvc Pkg, 4200170)
	3421261	Bearing, Door Closer, B	108	3150640	Fan blade, Ref/Fre Evap.
43	3450570	Door Closer Cushion	109	6220540	Screw Grommet / Stand-off
44	0165970	Door Closer Guide Support	110	4162800	Shroud Assy, Ref Fan
45	3421310	Door Closer Guide	111	6201010	Screw, #8-15 x 2" Pan Head
46	0166360	Door Stop Cushion Retainer	112	6180010	Pop Rivet, 1/8"
47	6180010	Pop Rivet, 1/8"	113	3082140	Light Terminator
48	DS90	Door Stop-90 Degree (Sales Acc.)	114	6201440	Screw, #8-32 X 1 3/4 FILHD
	DS90/B	Stop, Door Kit 90 Degree, B (Sales Acc.)	115	0212610	Drain Trough Assembly
	DS105	Door Stop-105 Degree (Sales Acc.)	116	3212460	Gasket, Condenser
	DS105/B	Stop, Door Kit 105 Degree, B (Sales Acc.)	117	3030040	Bulb, Light 40W 7/8"X5-1/2"
49	3450560	E - Ring, 7/16"	118	3520250	Water Inlet Fitting Assy
50	3060130	SPST Fan/Icemaker Switch (White)			
	3060131	Switch, Rocker N.O. Black			

## 661-2 MECHANICAL VIEW



**661-2 SEALED SYSTEM PARTS LIST**

<u>Ref #</u>	<u>Part #</u>	<u>Description</u>
1	4202250	Compressor , Freezer (DA73)
2	3111041	Relay, (PTH490D-AS100) (For DA73 Compressor)
	3111430	Overload, (4TM419MFB) (For with DA73 Compressor)
	3112450	Electrical Assembly (For EGZ80 Comp)
	3111070	Run Capacitor, (12Mf) (For DA73 and EGZ80 Compressors)
3	4251690	Heat Exchanger, Freezer
4	4201880	Compressor, Refrig. (EMI30HER)
5	3111370	Relay, (1351400 - For EMI30HER Comp)
	3111410	Overload, (4TM734LFB - For EMI30HER Comp)
	3112211	Electrical Assembly (For EMU30HSC Comp)
	3111070	Capacitor (For EMU30HSC Comp)
6	4251600	Heat Exchanger, Refrigerator
7	3120420	Condenser, Wire on Tube
8	3014230	Filter-Drier, High Side
9	6120170	Locking Cable Tie, Red, 11-1/2"
10	0168040	Drier Bracket
11	6201270	Screw, #8-18 x 5/8" PH PN SS-Gnd
12	3011130	Freezer Accumulator
13	3130590	Evaporator Coil, Fre
14	6201270	Screw, #8-18 x 5/8" PH PN SS-Gnd
15	3130640	Evaporator, Refrig.
16	6201270	Screw, #8-18 x 5/8" PH PN SS-Gnd
17	2600138	Drain Pan Heater Loop
18	3421410	Drain Pan Heater Loop Support
19	6200010	Screw, #10-12 x 3/4" Pan HD
20	NA	
21	6150220	Nut, 5/16-18 Hex Zinc
22	6240050	Flat Washer, 5/16"
23	3150010	Rubber Grommet, Small, 5/8"
	3150170	Rubber Grommet, Large, 15/16"
24	6160030	Spacer, 5/16 x 7/16 x 5/8"
	6160070	Sleeve, 5/16 x 7/16 x 7/8"
25	3014100	Suction Line Drier (Service Only)

**661-2 SEALED SYSTEM VIEW**

