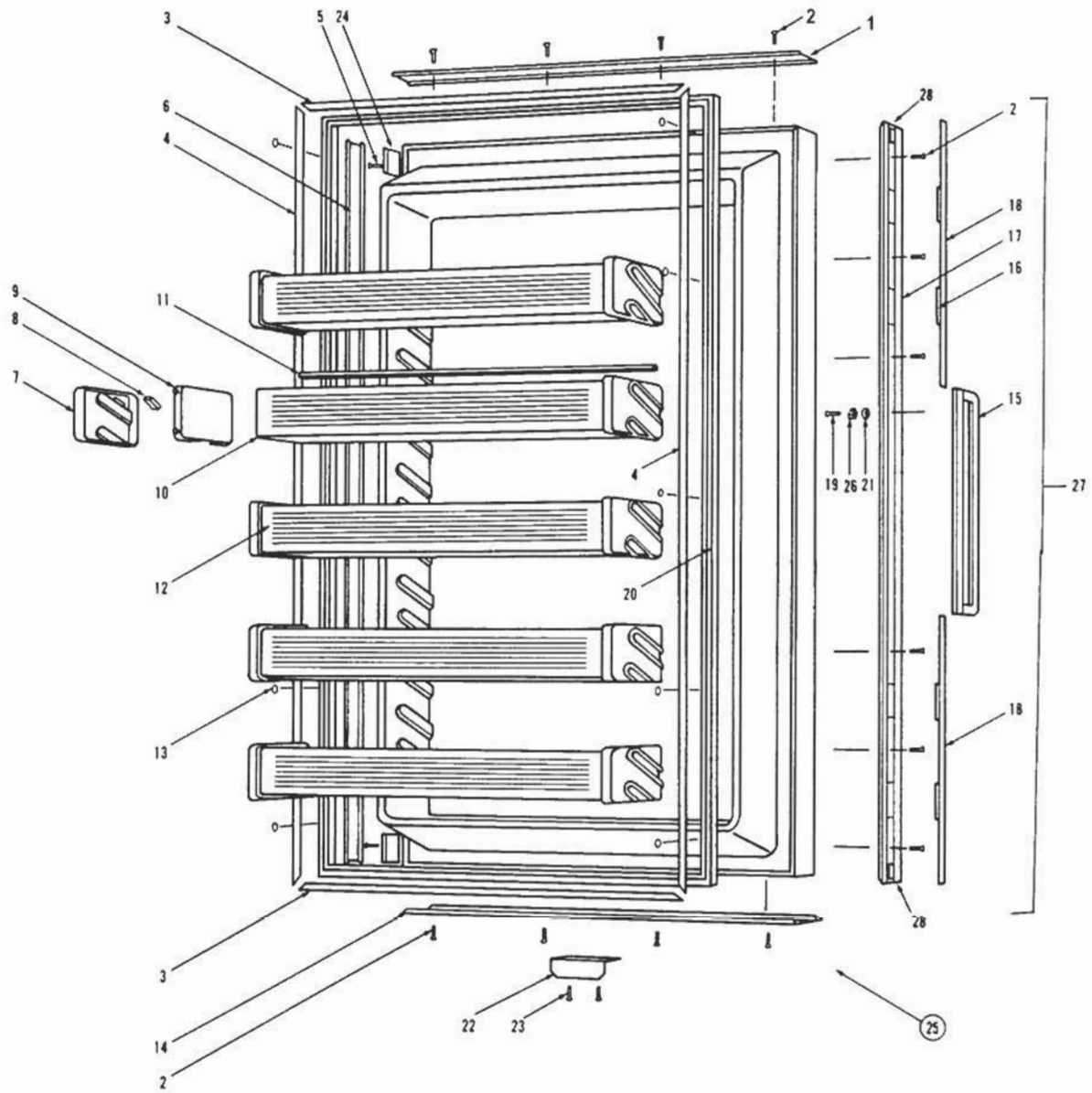


501F DOOR VIEW

Ref.	Part No.	Description	Ref.	Part No.	Description
1	2225408	Door Trim, Top RH/Bottom LH, 45° Miter on Handle Side	15	NLA	See EH501
	2225409	Door Trim, Top LH/Bottom RH, 45° Miter on Handle Side	16	3450450	Molding Magnet - 3"
	2225402	Door Trim, Top RH/Bottom LH (Valanced Handle)	17	2225801	Door Trim, Handle Side (45° Miter - For D-Style Handle)
	2225403	Door Trim, Top LH/Bottom RH (Valanced Handle)		2225803	Door Trim, Handle Side (Valanced - For D-Style Handle)
2	6200720	Screw, #8-18 x 1/2 PH Truss HD	18	4131030	D-Style Handle Molding Assembly (For Mitered Trim)
3	3420220	Gasket Retainer, 33.312"		4131170	D-Style Handle Molding Assembly (For Valanced Trim)
4	3420250	Gasket Retainer, Side, 57.875"	19	6200780	Screw, #10-24 x 1/2" PH Hex Washer
5	6180040	Pop Rivet, 3/16x1/8 Grip	20	3211140	Door Gasket
6	2225301	Door Trim, Hinge Side	21	6240240	Flat Washer, 1/4"
7	3600751	Door Shelf Outer End Cap RS	22	0180281	Switch Depressor, White
	3600752	Door Shelf Outer End Cap LS	23	6200020	Screw, #7-16 x 1/2" Pan HD
8	3550440	Door Shelf Retainer	24	3450460	Door Trim Clip
9	3600761	Door Shelf Inner End Cap RS	25	4131151	Door Assembly, Fre; RH
	3600762	Door Shelf Inner End Cap LS		4131152	Door Assembly, Fre; LH
10	3600970	Door Shelf	26	6240020	Star Washer, 3/16"
11	3510710	Door Shelf Support	27	NLA	See EH501
12	4330250	Door Shelf Assembly		NLA	See EH501
13	6200410	Screw, #8 x 1/2" Slot Head Hex	28	4200760	Door Trim Components for D-Style Valanced Handle
14	2225408	Door Trim, Top RH/Bottom LH, 45° Miter on Handle Side		4200690	D-Style Handle End Cap Replacement Components
	2225409	Door Trim, Top LH/Bottom RH, 45° Miter on Handle Side			
	2225402	Door Trim, Top RH/Bottom LH (Valanced Handle)			
	2225403	Door Trim, Top LH/Bottom RH (Valanced Handle)			

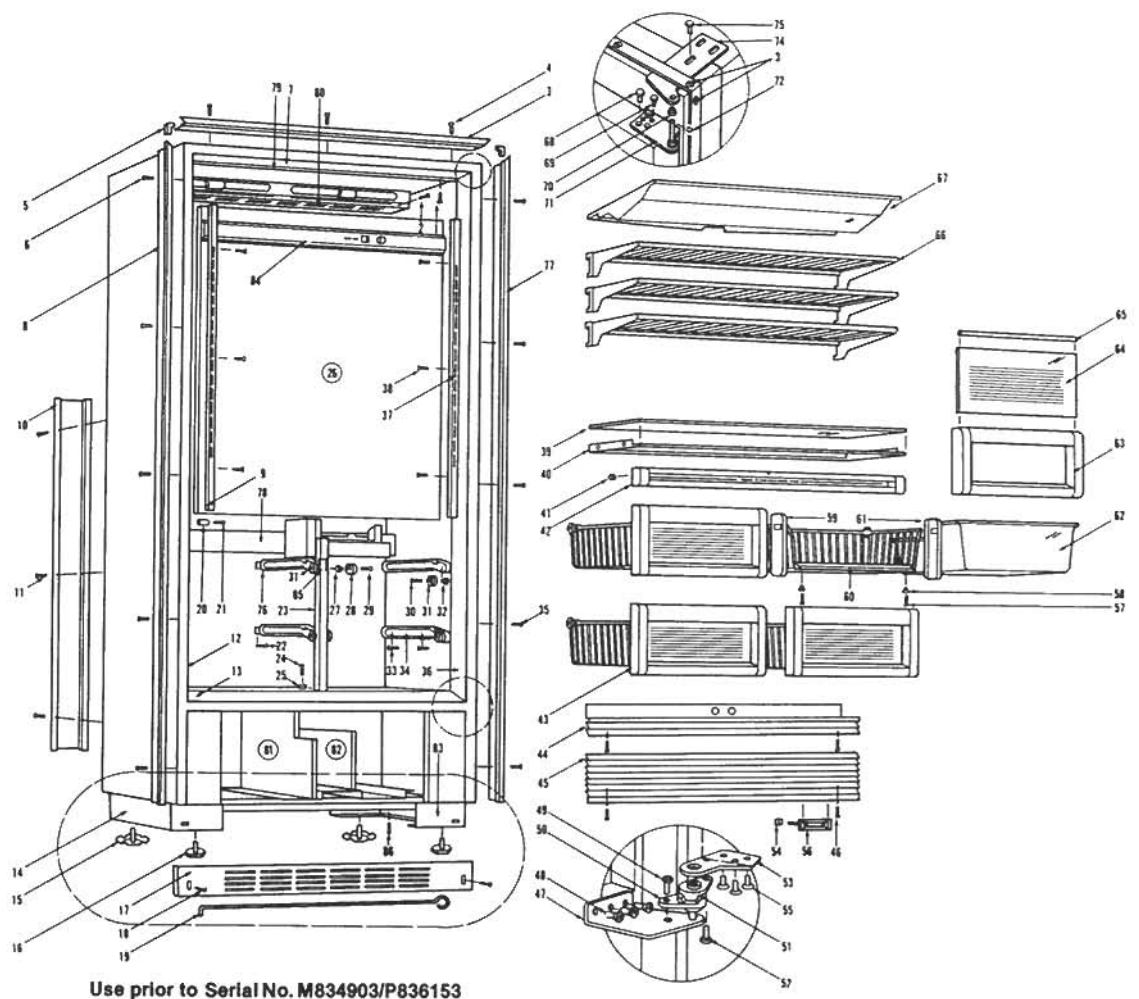
501F DOOR VIEW



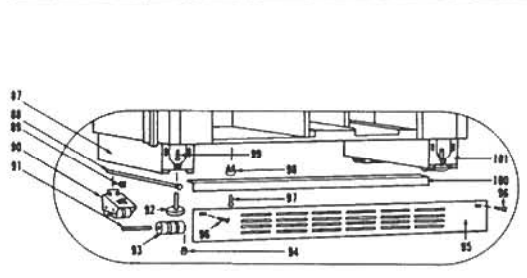
501F COSMETIC VIEW

Ref.	Part No.	Description	Ref.	Part No.	Description
1	6200140	Screw, #8-15 x 3/8" Truss HD	57	6200700	Screw, #6-20 x 5/8" PH Flat HD SS
2	6200130	Screw, #8-18 x 3/4" Truss Head	58	6220320	Screw Grommet
3	2225618	Top Main Frame, RH Dr Swing	59	3410972	Freezer Basket Retainer, LS
	2225619	Top Main Frame, LH Dr Swing	60	4180880	Basket Assembly, Fre
4	6200010	Screw, #10-12 x 3/4" Pan HD	61	3410971	Freezer Basket Retainer, RS
5	2210701	Main Frame Angle	62	3411320	Ice Bucket
6	6200210	Screw, #8-32 x 1/2" Flat Head	63	3410820	Freezer Basket/IM Bucket Front
7	1807300	Breaker Strip, 6' Length - NOTE: Must be cut to length	64	3500260	Freezer Drawer Glass
			65	3600950	Drawer Glass Retainer
8	2225611	Left Side Main Frame, RH Dr Swing	66	3600820	Freezer Shelf
	2225612	Left Side Main Frame, LH Dr Swing	67	4200840	Light Diffuser/Fan Shroud Replacement Components
9	3601142	Shelf Ladder LS			
10	0165380	Back Cover	68	6110010	Bolt, #10-24 x 1/2" Flat Head UC
11	6200230	Screw, #8-18 x 1/2" Hex Head	69	6200210	Screw, #8-32 x 1/2" Flat Head
12	1807300	Breaker Strip, 6' Length - NOTE: Must be cut to length	70	3420070	Hinge Bearing
			71	4150771	Door Hinge, Top; RH
13	1807300	Breaker Strip, 6' Length - NOTE: Must be cut to length		4150772	Door Hinge, Top; LH
			72	3450270	E-Ring / Retaining Ring
14	4110022	Left Base Assembly	73	6200070	Screw, #4-24 x 3/8" Flat HD
15	3570020	Rear Leveling Leg, #18-3/8 x 1-1/2"	74	0182560	Cabinet Hinge, Top
16	3570050	Leveling Leg, #18-3/8 x 1"	75	6110070	Bolt, 1/4-20x3/4 Spinlock Zinc
17	0164770	Kickplate, 3.44 x 35.5	76	3411280	Center Basket Slide
18	6200050	Screw, #10-12 x 1/2" Pan HD	77	2225604	Right Side Main Frame, RH Dr Swing
19	3570030	Leveling Rod, 26-3/4"		2225605	Right Side Main Frame, LH Dr Swing
20	6220360	Screw Grommet	78	0233100	Drain Trough Encloser
21	6200280	Screw, #8-18 x 1" Pan Head	79	0211380	Light Diffuser Retainer
22	6200140	Screw, #8-15 x 3/8" Truss HD	80	0211680	Fan Guard
23	0233090	Basket Slide Support, Center	81	4280460	Condenser Fan Shroud Assembly
24	6200130	Screw, #8-18 x 3/4" Truss HD	82	4280200	Compressor Shroud Assembly
25	6240030	Plastic Washer	83	4110021	Right Base Assembly
26	0233060	Cold Plate / Evaporator Cover	84	3012590	Control Panel - NOTE: Also order three 6230530
27	3430080	Roller Bushing			
28	3421170	Freezer Basket Slide Roller, Wide	85	3550450	Hex Insert
29	6200740	Screw, #10-32 x 11/16" PH Flat HD UC	86	6200010	Screw, #10-12 x 3/4" Pan Head
30	6200730	Screw, #10-16 x 3/4" PH Flat HD UC	87	4110333	Base Assembly (w/rollers)
31	3421160	Basket Slide Roller	88	6110520	Adjusting Screw
32	3430080	Roller Bushing	89	6150670	J-Nut, #10-24
33	6200450	Screw, #8 x 1" Type AR Flat	90	4110331	Base Rear Roller Assy
34	4180971	Freezer Basket Slide Assy - Right	91	3550560	Straight Pin, Base Assy - .312" x 2.88"
	4180972	Freezer Basket Slide Assy - Left	92	3570050	Leveling Leg, #18-3/8 x 1"
	4180971	Freezer Basket Slide Assy - Right	93	3421240	Cabinet Base Roller (3 per side)
	4180972	Freezer Basket Slide Assy - Left	94	3450620	Canoe Clip
35	6200210	Screw, #8-32 x 1/2" Flat Head	95	0166150	Kickplate, Vented
36	1807300	Breaker Strip, 6' Length - NOTE: Must be cut to length		4200871	Kickplate, Solid
			96	6200050	Screw, #10-12 x 1/2" Pan HD
37	3601141	Shelf Ladder RS	97	6200010	Screw, #10-12 x 3/4" Pan HD
38	6200710	Screw, #8-18 x 3/8" Fillister HD	98	6220050	Screw Grommet, 1/2" x 5/8"
39	3470270	Freezer Shelf Glass	99	6200010	Screw, #10-12 x 3/4" Pan HD
	4181010	Glass Shelf Assembly	100	0166070	Kickplate Support
40	3601130	Freezer Shelf Frame	101	4110333	Base Assembly (w/rollers) - Right or Left
41	6150620	Nut, 3/16" Pal	102	6110010	Bolt, #10-24 x 1/2" Flat Head UC
42	4202660	Freezer Shelf Front Assembly	103	6200390	Screw, #6 x 3/8" T25 Flat Head PH
43	4180880	Basket Assembly, Fre	104	3450570	Door Closer Cushion
44	2226201	Grille Top, RH Dr Swing	105	3421310	Door Closer Guide
	2226202	Grille Top, LH Dr Swing	106	0165970	Door Closer Guide Support
45	4240500	Louvered Grille	107	4151231	Cabinet Hinge Assembly, Bot; RH
46	6200790	Screw, #8-18 x 1/2" Black		4151232	Cabinet Hinge Assembly, Bot; LH
47	4151141	Cabinet Hinge, Bot; RH	108	4201113	Door Closer Assembly, RH
	4151142	Cabinet Hinge, Bot; LH		4201114	Door Closer Assembly, LH
48	6110010	Bolt, #10-24 x 1/2" Flat Head UC	109	3421260	Door Closer Bearing
49	6110270	Bolt, #10-32 x 1/4" RD HD	110	3450550	E-Ring / Klipping , 5/16"
50	3420681	Bottom Cabinet Hinge Cam, RH	111	6110070	Bolt, 1/4-20 x 3/4" Spinlock Zinc
	3420682	Bottom Cabinet Hinge Cam, LH	112	3421270	Hinge Bearing, 3/8" x 5/8"
51	3420690	Bottom Door Hinge Cam - RH or LH	113	4151241	Door Hinge, Bot; RH
52	6110270	Bolt, #10-32 x 1/4" RD HD		4151242	Door Hinge, Bot; LH
53	0182381	Door Hinge, Bottom; RH	114	6160220	Steel Spacer
	0182382	Door Hinge, Bottom; LH	115	DS90	Door Stop-90 Degree
54	6150140	Spring Grip Nut, 1/8"		DS105	Door Stop-105 Degree
55	6110010	Bolt, #10-24 x 1/2" Flat Head UC	116	0183140	Cabinet Hinge Stiffener
56	3580110	Name Plate	117	6110450	Bolt, 1/4-20 x 1/2" Whiz Lock

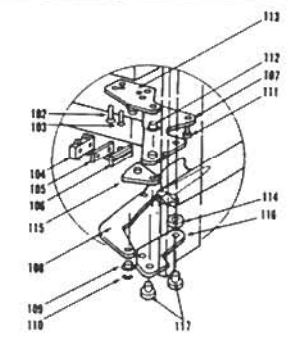
501F COSMETIC VIEW



Use prior to Serial No. M834903/P836153



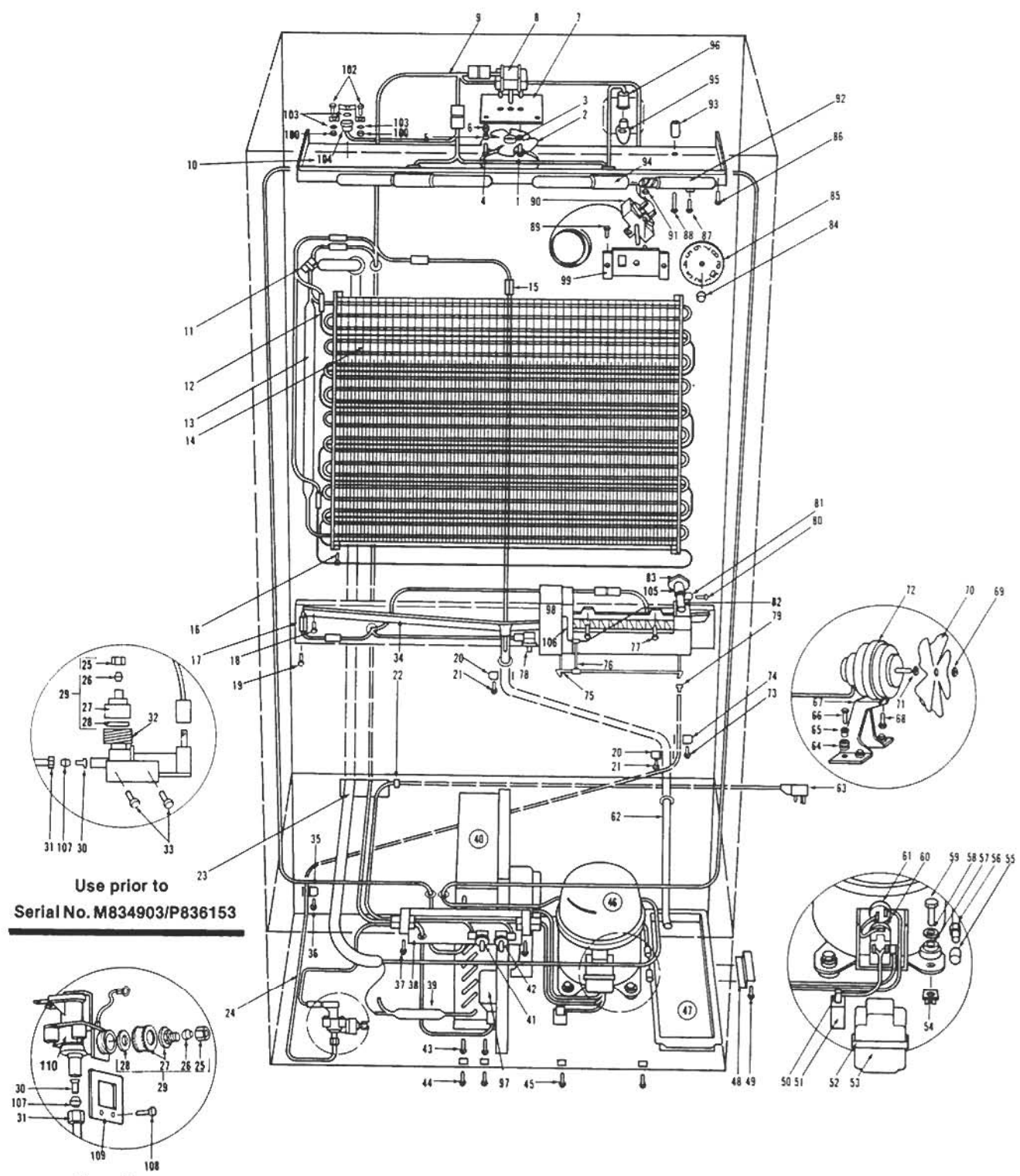
Use after Serial No. M834904/P836154



501F SEALED SYSTEM VIEW

Ref.	Part No.	Description	Ref.	Part No.	Description
1	6110270	Bolt, #10-32 x 1/4" RD HD		3150170	Rubber Grommet, Large, 15/16"
2	3150450	Fan Blade, Evap, Blk, 5 prop, 5 1/2"	58	6240050	Flat Washer, 5/16"
3	6200120	Screw, #10-12 x 1/2" Truss HD	59	6200300	Screw, 5/16-18 x 1-1/2" Hex
4	6200130	Screw, #8-18 x 3/4" Truss HD	60	****	Relay
5	3520120	Brass Insert, Fan Bracket	61	****	Overload
6	3220250	Grommet, 3/16" x 7/16" x 9/32"	62	1601400	Drain Tube, Wire - 1/2" x 72"
7	0211620	Refrigerator Fan Bracket	63	4321820	Power Cord
8	4200720	Evap Fan Motor Replacement Components	64	3220160	Grommet, 3/16" x 7/16" x 9/32"
9	4322420	Cabinet Wiring Harness-Phoenix	65	3520120	Brass Insert, Fan Bracket
	4322370	Cabinet Wiring Harness-Madison	66	6200430	Screw, #8-18 x 1/2" PH Type-B Pan Head
10	4160520	Fan Shroud Assembly	67	2801603	Fan Bracket, Cond
11	3082060	Defrost Terminator	68	6200490	Screw, #8-32 x 3/8" Slotted Hex T25
12	4322390	Defrost Heater Assembly	69	6150410	Nut, 1/4 x 20
13	3011140	Accumulator	70	3150320	Fan Blade, Cond, 5 prop, 7"
14	3130250	Evaporator Coil	71	3210340	Neoprene Silencer, 7/8"
15	3013550	Braided Wire Heater	72	4200740	Condenser Fan Motor Replacement Components
16	6200140	Screw, #8-15 x 3/8" Truss HD	73	6200230	Screw, #8-18 x 1/2" Hex Head
17	3013530	Drain Trough Heater	74	6120030	Tube Clamp, Plastic 1/4"
18	6200140	Screw, #8-15 x 3/8" Truss HD	75	3421150	Ice Level Control Arm
19	6200140	Screw, #8-15 x 3/8" Truss HD	76	3421070	Connecting Rod
20	6120050	Tube Clamp, Plastic, 5/8"	77	6200120	Screw, #10-12 x 1/2" Truss HD
21	6200230	Screw, #8-18 x 1/2" Hex Head	78	3060130	SPST Fan/Icemaker Switch
22	3220140	Strain Relief Bushing	79	3520050	Brass Insert, Solenoid
23	4251010	Heat Exchanger	80	6200330	Screw, #8-18 x 3/8" Pan Head
24	2600617	Plastic Water Line	81	6120120	Tube Clamp, 3/8" Stl w/nut
25	NLA	Compression Nut - See 3520110	82	3450480	Plastic O-Ring, Fill Tube
26	NLA	Ball Sleeve - See 3520110	83	2603802	Water Inlet Tube
27	NLA	Water Valve Fitting - See 3520110	84	3012560	Control Knob
28	3210030	Solenoid Gasket	85	3012810	Control Indicator
29	3520110	Water Inlet Fitting Assy	86	6200140	Screw, #8-15 x 3/8" Truss HD
30	3520050	Brass Insert, Solenoid	87	6200130	Screw, #8-18 x 3/4" Truss HD
31	3520030	Icemaker Nylon Nut, 1/4"	88	6200090	Screw, #8-15 x 1-3/4" Truss HD
32	4201440	Water Solenoid Valve	89	6180010	Pop Rivet, 1/8"
33	6200060	Screw, #8-32 x 1/2" Pan HD	90	3012750	Freezer Control
34	4190180	Drain Trough Assembly	91	6150320	Nut-Pal, #8-32
	6200020	Screw, #7-16 x 1/2" Pan HD	92	3030040	Light Bulb, Long/Narrow; 40 watt
38	0165460	Switch Housing	93	6220340	Screw Grommet / Stand-off
39	3014230	Filter-Drier, High Side	94	3050020	Light Socket, 3/4 Double
40	3120230	Condenser	95	3030070	Light Bulb, 7W
41	3060020	Fan Switch, Normally Open	96	3050070	Light Socket
42	3060030	Light Switch, Normally Closed	97	3081180	Defrost Timer, 6Hr / 21Min
43	6110020	Bolt, #10-24 x 3/8" Truss HD	98	4200520	Complete Modular Icemaker Assembly
44	6110020	Bolt, #10-24 x 3/8" Truss HD		628366	Module & Motor Assembly
45	6110020	Bolt, #10-24 x 3/8" Truss HD	99	4151040	Control Bracket Assy
46	4202560	Service Replacement Compressor	100	6150160	Nut, #8-32 Hex
47	0164970	Drain Pan, Plastic	102	6110050	Bolt, #8-32 x 3/8" Truss HD
48	0165010	Drain Pan Support	103	6240020	Star Washer, 3/16"
49	6200010	Screw, #10-12 x 3/4" Pan HD	104	4200850	Light Terminator Kit
50	4322280	Compressor Wiring Harness	105	2605403	Aluminum Sleeve
51	****	Running Capacitor	106	3140200	Icemaker Shut-off Arm
52	****	Compressor Cap Strap	107	3520110	Water Inlet Fitting Assy
53	****	Compressor Cap	108	6200780	Screw, #10-24 x 1/2" PH Hex Washer
54	1801000	Nylon Compressor Mount, 7/16"	109	0166200	Solenoid Retainer
55	NLA	Valve Cap -See 3090010; 3090100; 3090210; 3090220	110	4201450	Water Solenoid Valve
56	3090010	Compressor Base Valve - fits on 5/16"OD tubing	111	6220330	Plastic Support
57	3150010	Rubber Grommet, Small, 5/8"			

501F SEALED SYSTEM VIEW



**Use prior to
Serial No. M834903/P836153**

**Use after
Serial No. M834904/P836154**